

SANTAC L TYPE WATERSTOP

Expansion Joint Waterstop

retrofit



HAYAKAWA offers several solutions for retrofit applications.

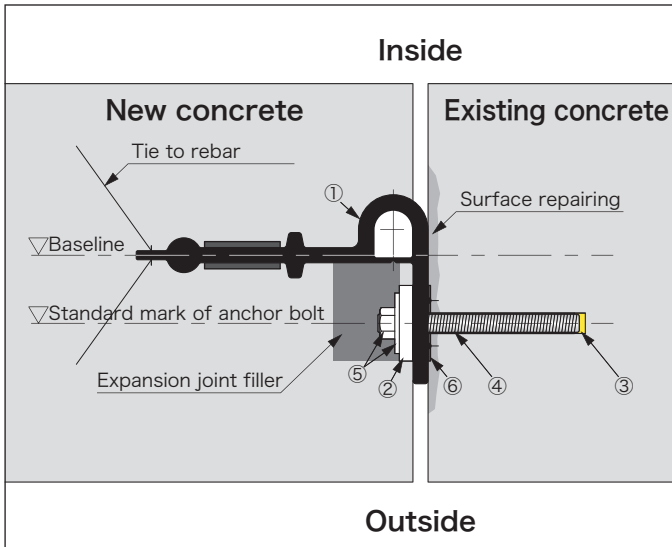
Features

- The ell shape design of waterstop in conjunction with the elasticity of rubber material allows for movement in newly created joint.
- L type waterstop is designed to provide a water-tight seal between existing and new concrete construction.
Retrofit waterstop consists of a Span Seal and a hot dip zinc plated batten plate.
- Span Seal adheres as green concrete hardens gradually.

SANTAC L TYPE WATERSTOP

Expansion Joint Waterstop (retrofit)

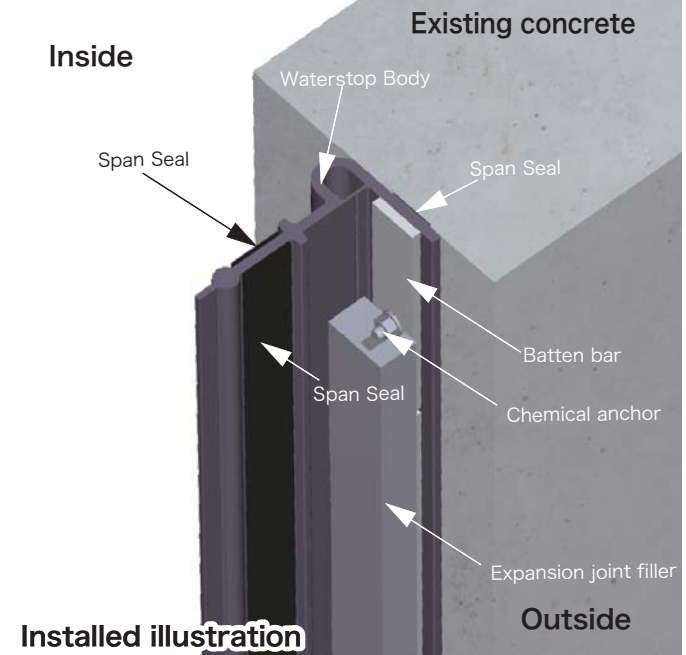
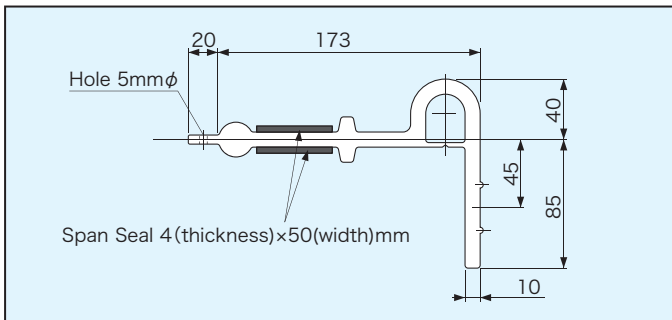
Installation View



Material List

	Member	Dimension	Material
①	Waterstop Body	Thickness:10mm	NR・SBR
②	Batten bar	Thickness:9mm ,Width:50mm	SUS304
③	Chemical anchor	M12	
④	Anchor bolt	M12×150mm	SUS304
⑤	Nut, washer	M12	SUS304
⑥	Span Seal	Thickness:4mm ,Width:50mm	Butyl cohesive

Section



Physical Properties (NR/SBR types)

	Property	Unit	Typical Value	Test Method
Fresh	Density	Mg/m ³	1.15±0.05	JIS K 6268
	Hardness	—	65±5	JIS K 6253
	Tensile strength	MPa	>19.6	JIS K 6251
	Elongation	%	>400	JIS K 6251
Aging	Tensile strength rate of initial value	%	>80	JIS K 6257
	Elongation rate of initial value	%	>80	JIS K 6257
Alkali resistance	Tensile strength rate of initial value	%	>80	JIS K 6258
	Elongation rate of initial value	%	>90	JIS K 6258

Leakproofing Test



Design Application Data

Deflection (mm)	40
Gap (mm)	30
Permissible concrete pressure (MPa)	0.1

ISO9001:2008 Certification
Head Office/Minoshima Works, Matsuhama Works

ISO14001:2004 Certification
Head Office/Minoshima Works

 HAYAKAWA RUBBER CO., LTD

Head Office/Minoshima Works

5351 Minamigaoka, Minoshima-cho, Fukuyama City, Hiroshima, 721-8540

TEL:81(0)84 954-7801 FAX:81(0)84 953-2121

e-mail : info@hrc.co.jp